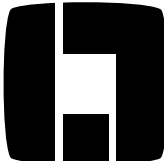


DENTAL CHAIR AND UNIT

Rapport

PARTS LIST

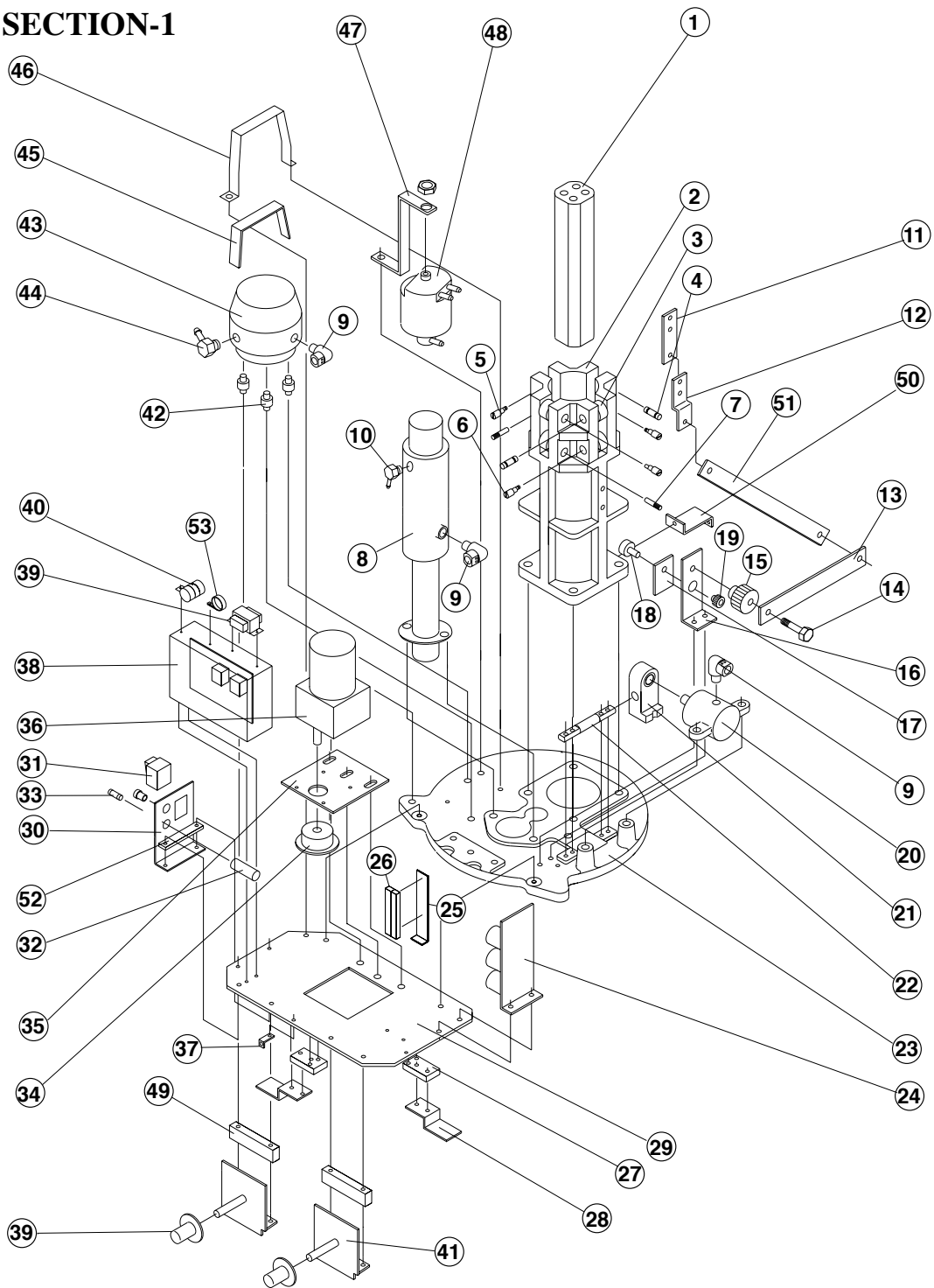
 **Belmont[®]**

RAPPORT CHAIR SECTION PARTS LIST

TABLE OF CONTENTS

	Page
1. BASE SECTION-1-----	1
2. BASE SECTION-2-----	3
3. FLANGE AND RECLINING MECHANISM SECTION-----	4
4. COVER SECTION-----	6
5. BACKREST SECTION-----	7
6. SEAT SECTION-----	8
7. HEADREST SECTION-----	9

1. BASE SECTION-1

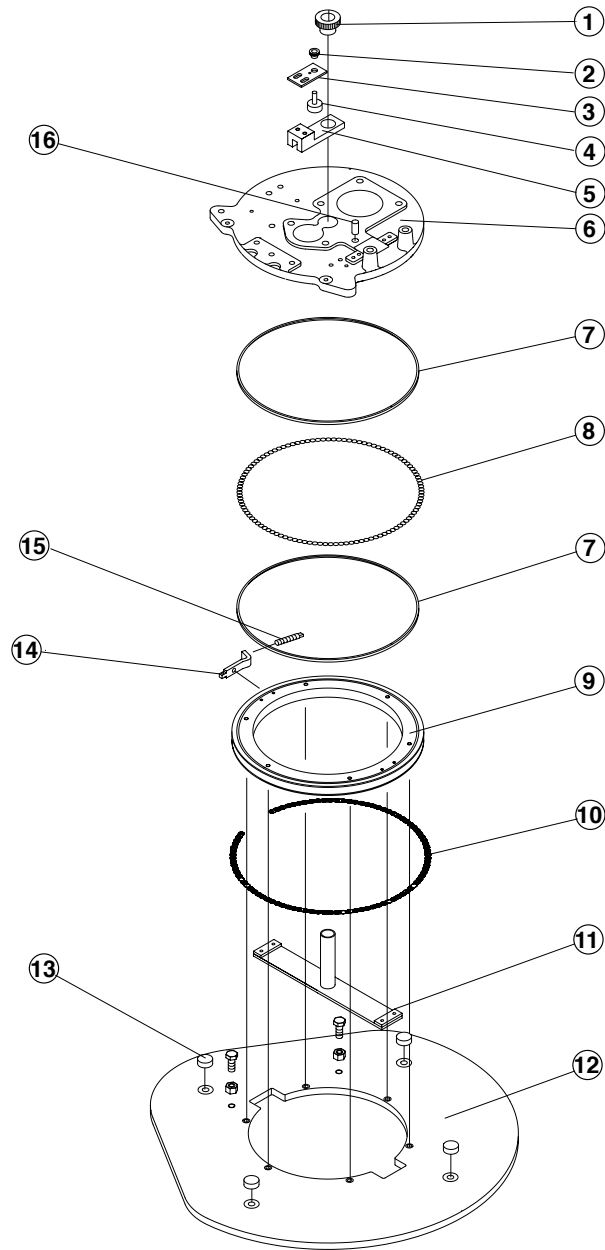


NO.	PARTS NO.	DESCRIPTION	Q'TY
1	C06-T3355	Guide Bar	1
2	C06-DAQB27A0	Guide Cylinder	1
3	C06-Q3124	Guide Roller	8
4	C06-Q3207	Guide Roller Straight Screw with Slot	2
5	C06-Q3271	Guide Roller Adjusting Screw with Slot	2
6	C06-F3199	Guide Roller Adjusting Screw	2
7	C06-F3198	Guide Roller Straight Screw	2
8	C06-Z0118	Base Elevation Cylinder Assembly	1
9	C06-SALA06A0	Mini Hose Joint Elbow (PT1/4")	3
10	C06-Q3401	L-Hose Nipple-2 (PT1/8")	1

1. BASE SECTION-1

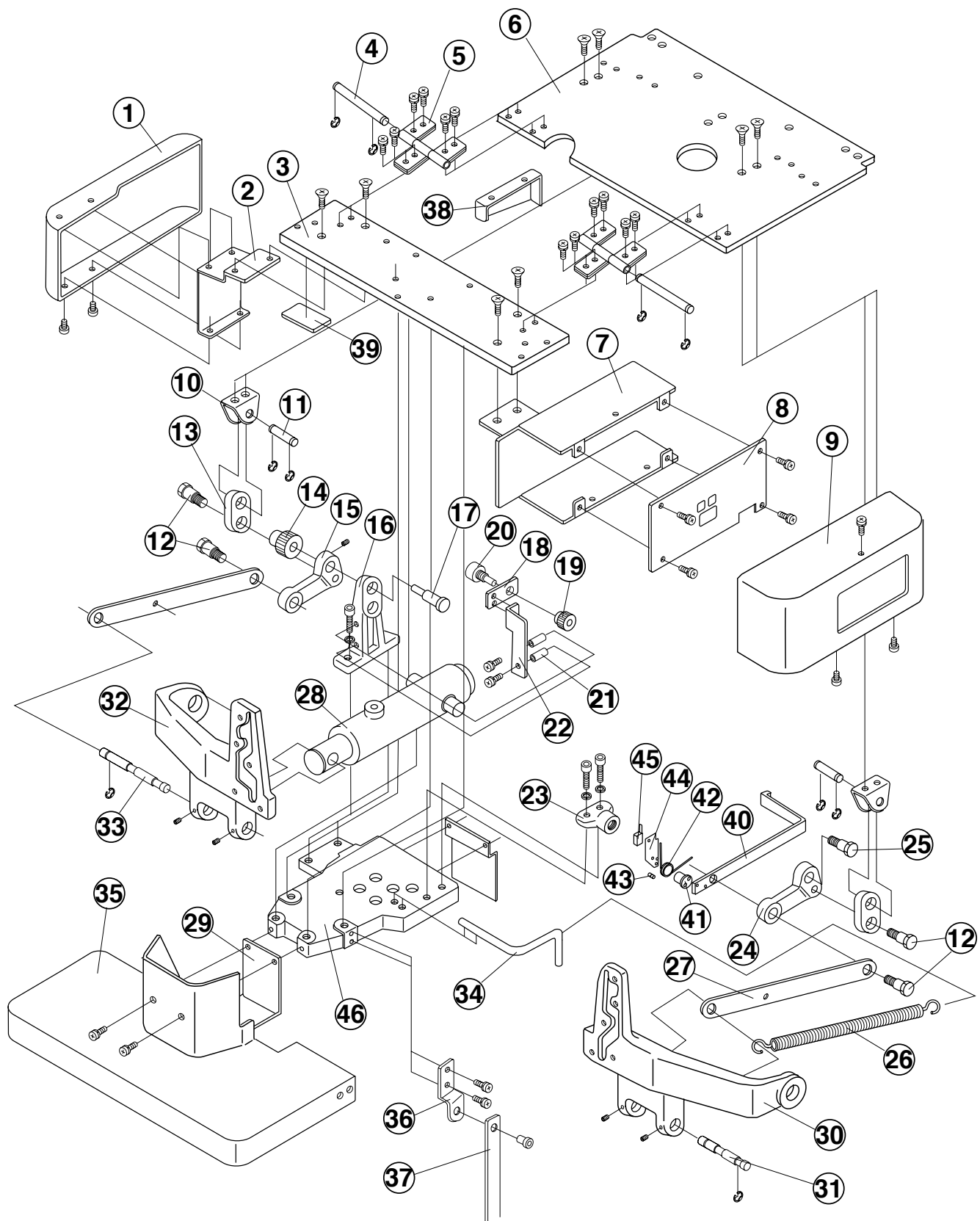
NO.	PARTS NO.	DESCRIPTION	Q'TY
11	C06-DAQS44A0	Link Fixing Bracket	1
12	C06-U3221	Upper Link Bracket	1
13	C06-T3357	Lower Hose Link	1
14	C06-G0080	Gear Fixing Screw	1
15	C06-DANR43A0	Gear (L)	1
16	C06-T3356	Lower Link Bracket	1
17	C06-U3222	Potentiometer Bracket	1
18	C06-X4281	Potentiometer (5K)	1
19	C06-X4208	Gear (S)	1
20	C06-Z0139	Lock Cylinder Assembly	1
21	C06-DAQS16A0	Lock Shoe	1
22	C06-DAQS17A0	Rotation Lock Shaft	1
23	C06-DAQB28A0	Rotation Base	1
24	C06-DGQR03A0	Solenoid Valve Block Assembly (100V)	1
25	C06-R3466	Terminal Block Bracket	1
26	C06-X4306	Terminal Block	1
27	C06-DAQS25A0	Cover Clip Spacer	2
28	C06-T3353	Cover Bracket	2
29	C06-DAQE40A0	Support Plate	1
30	C06-DAQS35A0	Main Switch Bracket	1
31	C06-DELR10AA	Main Switch (100V)	1
32	C06-X6966	Fuse Holder	2
33	C06-X5617	Fuse (10A)	2
34	C06-DAQS30A0	Rotation Gear Assembly	1
35	C06-DAQS24AA	Rotation Motor Bracket	1
36	C06-DEQR55A0	Rotation Motor (RMH6A6M, 100V)	1
37	C06-DAQS72A0	Pump Cover Fixing Bracket (Rear)	1
38	C06-DAQE41A0	Relay Box	1
39	C06-X2107	Transformer (TK-100V-2, 100V)	1
40	C06-X5001	Capacitor (100V)	1
41	C06-DD00423S	Stick Switch 4-Way Assembly	2
42	C06-R1214	Rubber Motor Mount	3
43	C06-D6063	Motor Pump (5LP, 100V)	1
44	C06-F2409	L-Motor Nipple	1
45	C06-S3020	Motor Belt (Rubber)	1
46	C06-F6158	Motor Band (Metal)	1
47	C06-Q3252	Oil Reservoir Bracket	1
48	C06-C3244	Oil Reservoir C	1
49	C06-DAQS09A0	Stick Switch Spacer	2
50	C06-DAQS19A0	Pump Cover Fixing Bracket (Front)	1
51	C06-T3358	Upper Hose Link	2
52	C06-DAQS26A0	Main Switch Bracket Spacer	1
53	C06-X5052	Hose Clamp	1

2. BASE SECTION-2



NO.	PARTS NO.	DESCRIPTION	Q'TY
1	C06-DAQS27A0	Rotation Gear (36)	1
2	C06-DEQR51A0	Gear (SIS24B+0806)	1
3	C06-DAQS23A0	Rotation Potentiometer Bracket	1
4	C06-X4281	Potentiometer (5K)	1
5	C06-DAQS22A0	Rotation Body	1
6	C06-DAQB28A0	Rotation Base	1
7	C06-DAQE39A0	Ring	1
8	C06-F7160	Bearing	139
9	C06-DAQE35A0	Fixing Ring	1
10	C06-DEQR53A0	Rotation Chain	1
11	C06-DAQE37A0	Centre Shaft	1
12	C06-DAQA10A0	Base	1
13	C06-DAQS46A0	Base Hole Plug	4
14	C06-DAQS20A0	Chain Bracket	1
15	C06-DAQS21A0	Chain Adjuster	1
16	C06-X5067	Pin (10 x 20)	1

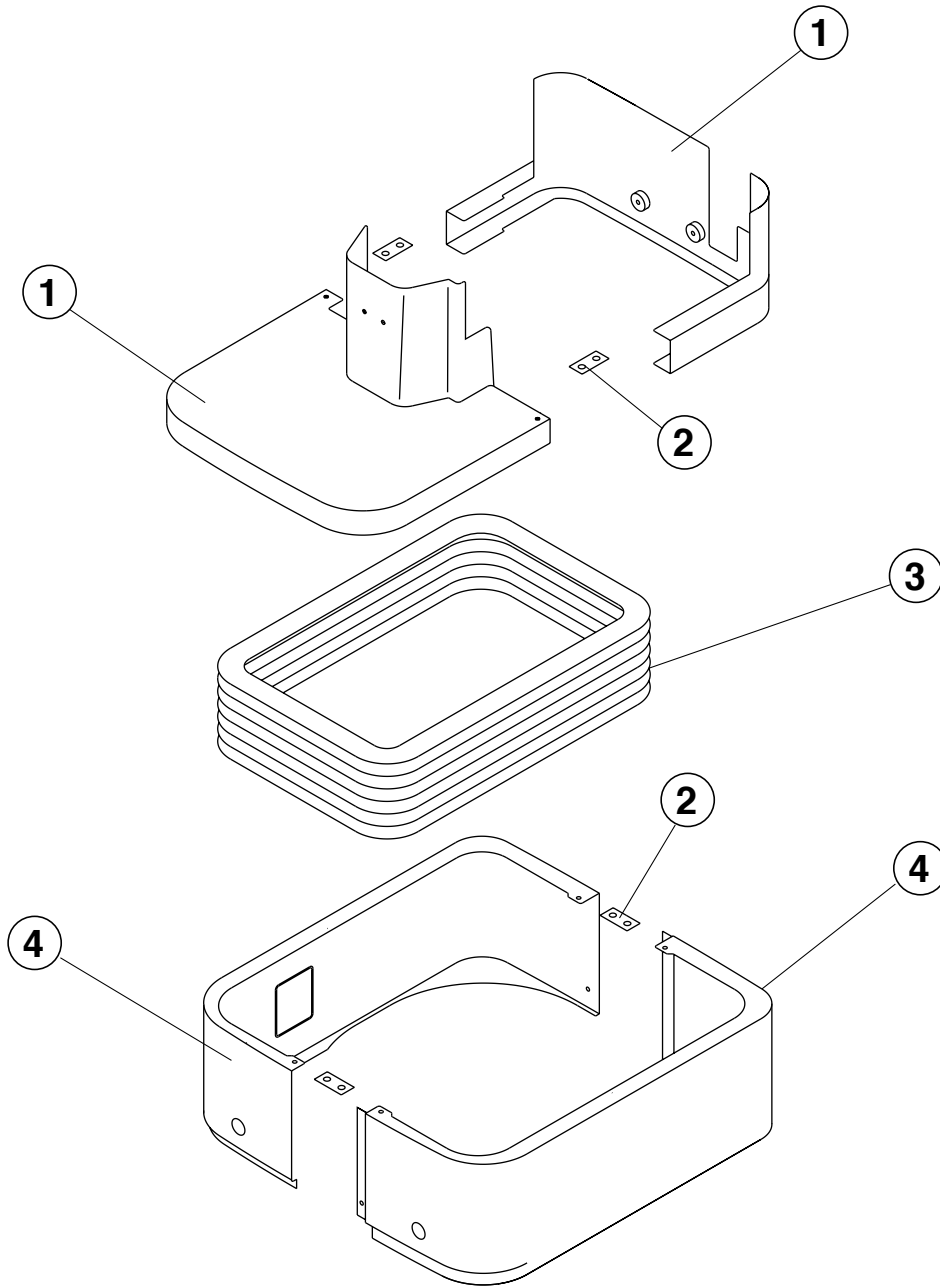
3. FLANGE AND RECLINING MECHANISM SECTION



3. FLANGE AND RECLINING MECHANISM SECTION

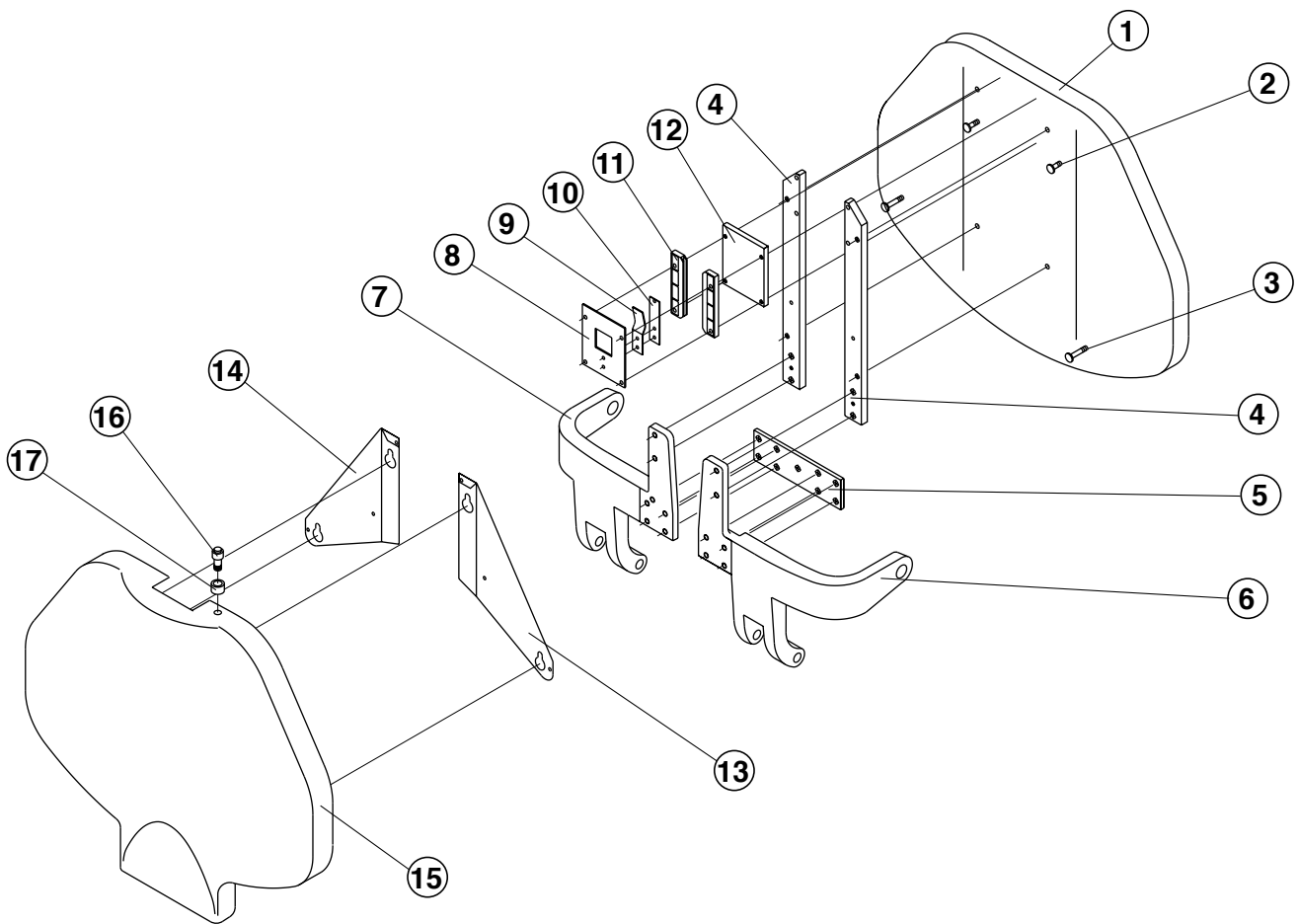
NO.	PARTS NO.	DESCRIPTION	Q'TY
1	C06-HAPE27A0	Side Cover (Left,S)	1
2	C06-T3361	Side Cover Bracket	1
3	C06-K3230	Seat Plate (A)	1
4	C06-R3675	Seat Hinge Pin	2
5	C06-Q3306	Seat Hinge	6
6	C06-DAPE66A0	Seat Plate (Front)	1
7	C06-DAQE36A0	Control P.C.B. Case	1
8	C06-DALJ01AA	Control P.C.B.	1
9	C06-HAME60A0	Control P.C.B. Cover	1
10	C06-U3683	Tilt Link Bracket	2
11	C06-U3314	Tilt Link Bracket Pin	2
12	C06-S3510	Tilt Bracket Shoulder Bolt	4
13	C06-U3682	Tilt Link (B)	2
14	C06-X4207	Gear (L)	1
15	C06-T3667	Tilt Link (A)	1
16	C06-J3595	Cylinder Bracket	1
17	C06-U3685	Tilt Pin	1
18	C06-J3596	Upper Potentiometer Bracket	1
19	C06-X4208	Gear (S)	1
20	C06-X4281	Potentiometer (5K)	1
21	C06-Q8703	Sleeve (4 x 8)	2
22	C06-J3716	Upper Potentiometer Plate	1
23	C06-U3684	Tilt Link Holder	2
24	C06-DAPR96A0	Tilt Link (D)	1
25	C06-R8052	Link Shoulder Bolt	1
26	C06-J3791	Reclining Spring	1
27	C06-DAOJ63A0	Link Bar	1
28	C06-DZOE04A0	Reclining Cylinder Assembly	1
29	C06-DAPJ65A0	Upper Pump Cover Bracket	1
30	C06-L3603	Back Support (Right)	1
31	C06-DAOS19A0	Link Joint Pin	1
32	C06-L3604	Back Support (Left)	1
33	C06-DAOS18A0	Reclining Ram Pin	1
34	C06-DAPR89A0	Spring Hook	1
35	C06-HAPE24A0	Upper Pump Cover (Front and Rear)	1 set
36	C06-U3221	Upper Link Bracket	1
37	C06-T3358	Upper Hose Link	1
38	C06-N3504	Side Protector	1
39	C06-U3789	Ram Protection Rubber	1
40	C06-DAPJ63A0	Legrest Link	1
41	C06-DAPR90A0	Spring Shaft	1
42	C06-DAPR91A0	Link Spring	1
43	C06-G0112	Shoulder Bolt	1
44	C06-DAPR92A0	Safety Switch Bracket	1
45	C06-X6311	Micro Switch	1
46	C06-DAPB55A0	Flange	1

4. COVER SECTION



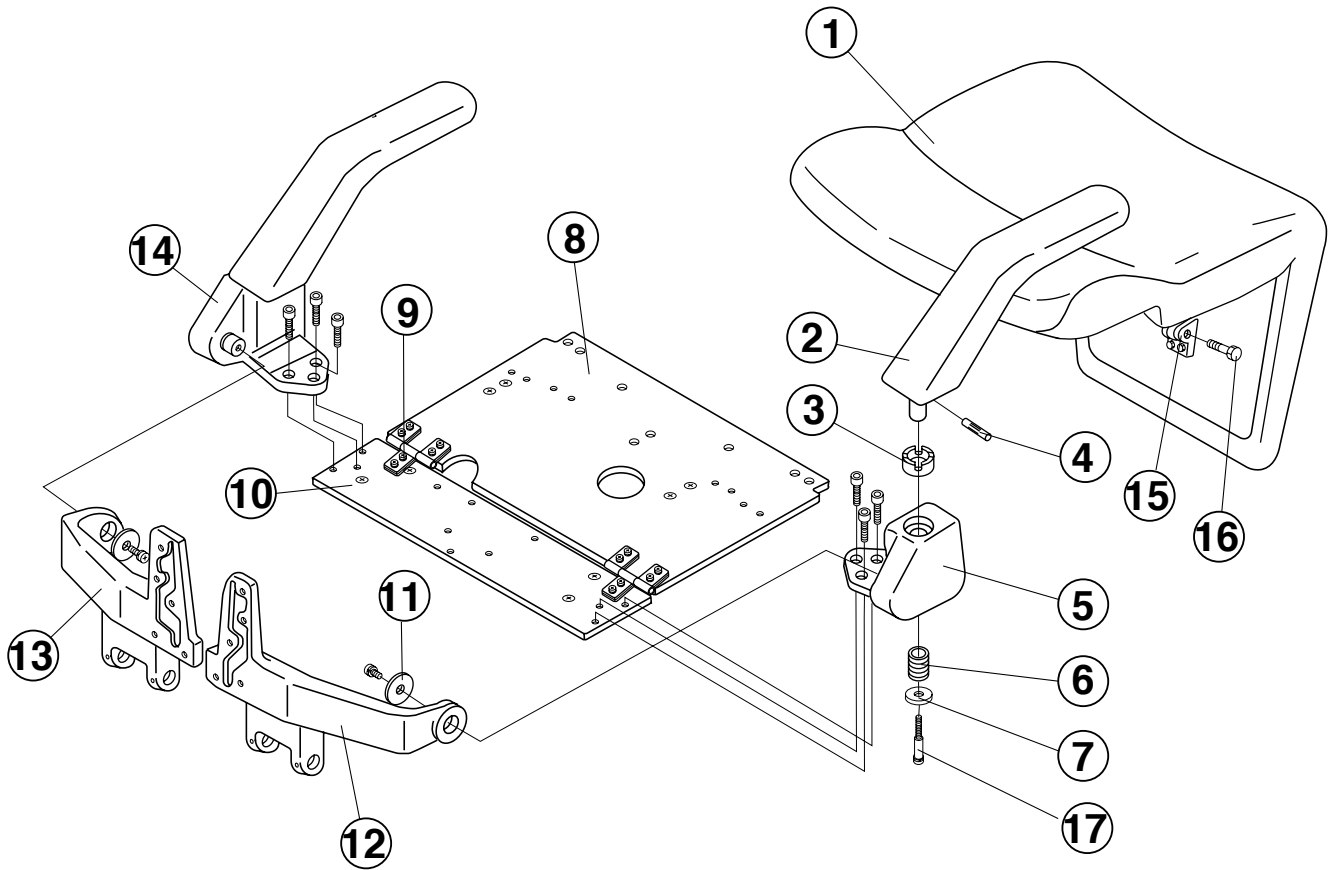
NO.	PARTS NO.	DESCRIPTION	Q'TY
1	C06-HAPE24A0	Upper Pump Cover (Front & Rear)	1 set
2	C06-S3061	Cover Fixing Plate	4
3	C06-DAMB63AA	Bellows	1
4	C06-HAQE34A0	Pump Cover (Left & Right)	1 set

5. BACKREST SECTION



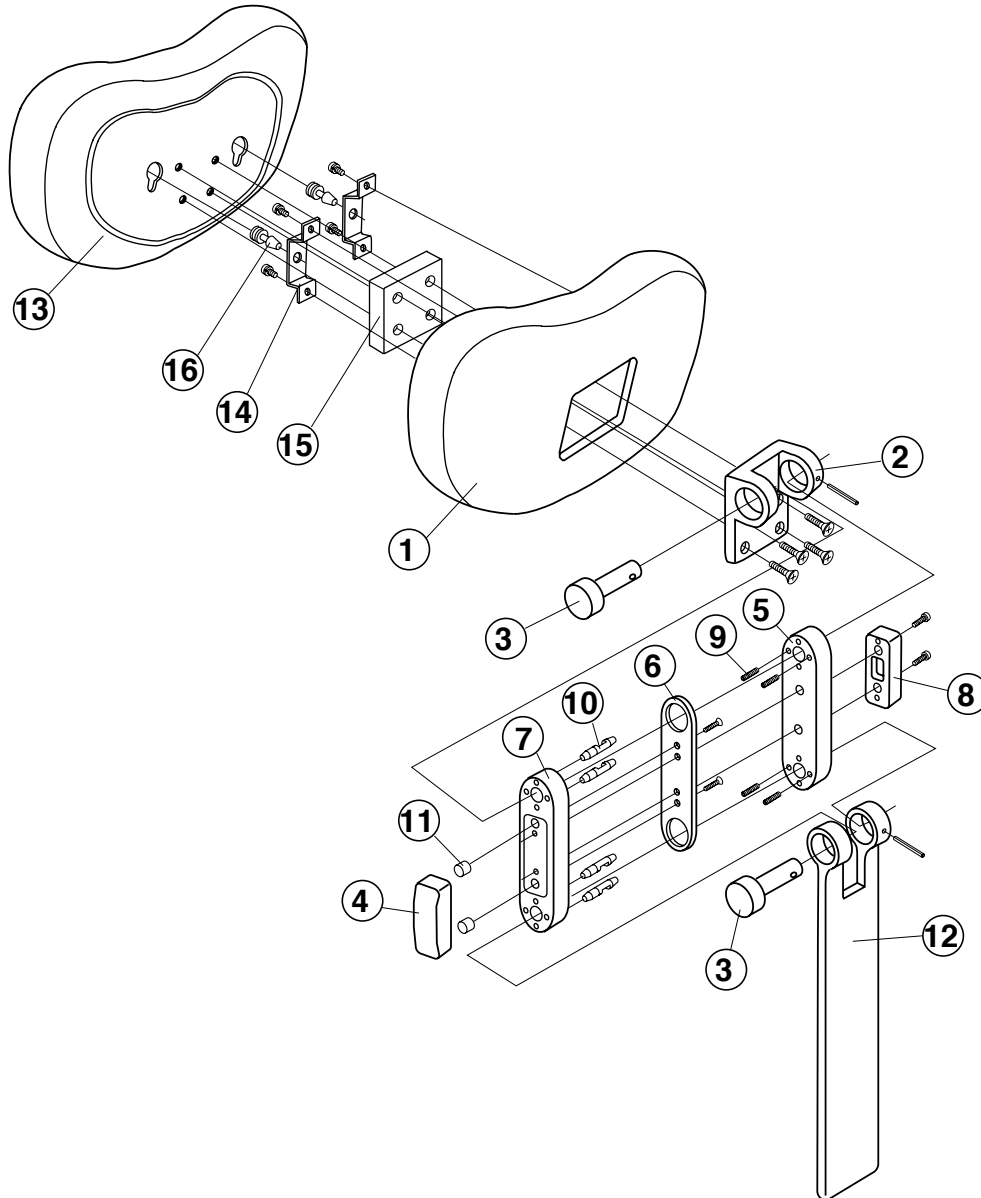
NO.	PARTS NO.	DESCRIPTION	Q'TY
1	-----	Backrest Cushion Assembly	1
2	C06-DAOR69A0	Backrest Cover Fixing Bolt (S)	2
3	C06-DAOR70A0	Backrest Cover Fixing Bolt (L)	2
4	C06-DAOE47A0	Backrest Plate	2
5	C06-N3523	Back Support Joint	1
6	C06-L3603	Back Support (Right)	1
7	C06-L3604	Back Support (Left)	1
8	C06-S3738	Headrest Bar Back Plate (A)	1
9	C06-S3739	Headrest Bar Adjusting Spring (A)	1
10	C06-S3740	Headrest Bar Rubbing Plate (A)	1
11	C06-U3534	Headrest Bar Guide	2
12	C06-DAOR78A0	Headrest Bar Guide Spacer	1
13	C06-DAOE44A0	Backrest Cover Fixing Bracket (Right)	1
14	C06-DAOE43A0	Backrest Cover Fixing Bracket (Left)	1
15	C06-HAQE33A0	Backrest Cushion Rear Cover	1
16	C06-X7404	Push Button	1
17	C06-U3577	Push Button Cap	1

6. SEAT SECTION



NO.	PARTS NO.	DESCRIPTION	Q'TY
1	-----	Seat Cushion Assembly	1
2	C06-DAME37AA	Armrest	2
3	C06-Q3502	Armrest Cam	2
4	C06-Q3586	Armrest Pin	2
5	C06-DAOE51A0	Armrest Bracket (Right)	1
6	C06-Q3505	Armrest Spring	2
7	C06-DAQS71A0	Flat Washer	2
8	C06-DAPE66A0	Seat Plate (Front)	1
9	C06-Q3306	Seat Hinge	6
10	C06-K3230	Seat Plate (A)	1
11	C06-Q3503	Back Support Washer	2
12	C06-L3603	Back Support (Right)	1
13	C06-L3604	Back Support (Left)	1
14	C06-DAOE64A0	Armrest Bracket (Left)	1
15	C06-F1777	Leg Bracket	1
16	C06-R1248	Shoulder Bolt	1
17	-----	Arm Screw (M6)	2

7. HEADREST SECTION (TWIN AXIS HEADREST)



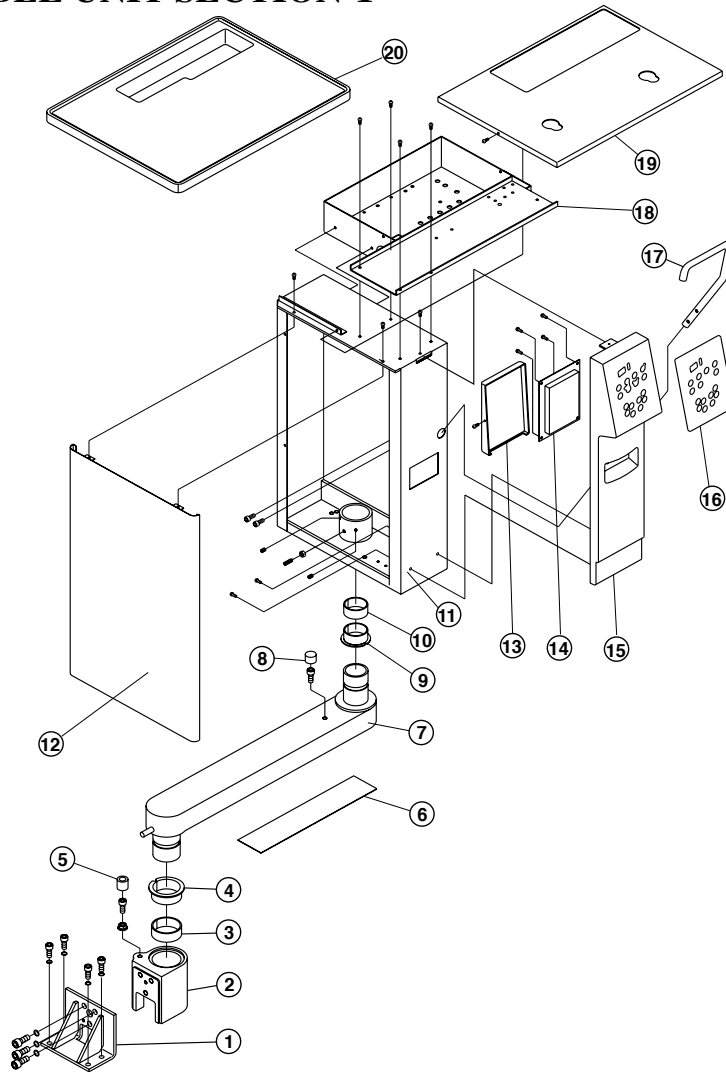
NO.	PARTS NO.	DESCRIPTION	Q'TY
1	C06-HAOF80A0	Headrest Cushion Rear Cover	1
2	C06-U3800	Headrest Knuckle	1
3	C06-DAPR73A0	Link Pin	2
4	C06-DAOR62A0	Headrest Release Button (Left)	1
5	C06-J3690	Headrest Link (Right)	1
6	C06-U3795	Lock Plate	1
7	C06-U3691	Headrest Link (Left)	1
8	C06-DAOR61A0	Headrest Release Button (Right)	1
9	C06-F6359	Headrest Lock Spring	8
10	C06-U3799	Headrest Lock Pin	8
11	C06-Q8703	Stud Pipe (4 x 8)	2
12	C06-DAOJ54A0	Headrest Bar	1
13	-----	Headrest Cushion Assembly	1
14	C06-DAOR77A0	Headrest Cover Fixing Bracket	2
15	C06-DAOR74A0	Headrest Spacer	1
16	C06-DEOR55A0	Headrest Cover Fixing Rivet	2

RAPPORT UNIT SECTION PARTS LIST

TABLE OF CONTENTS

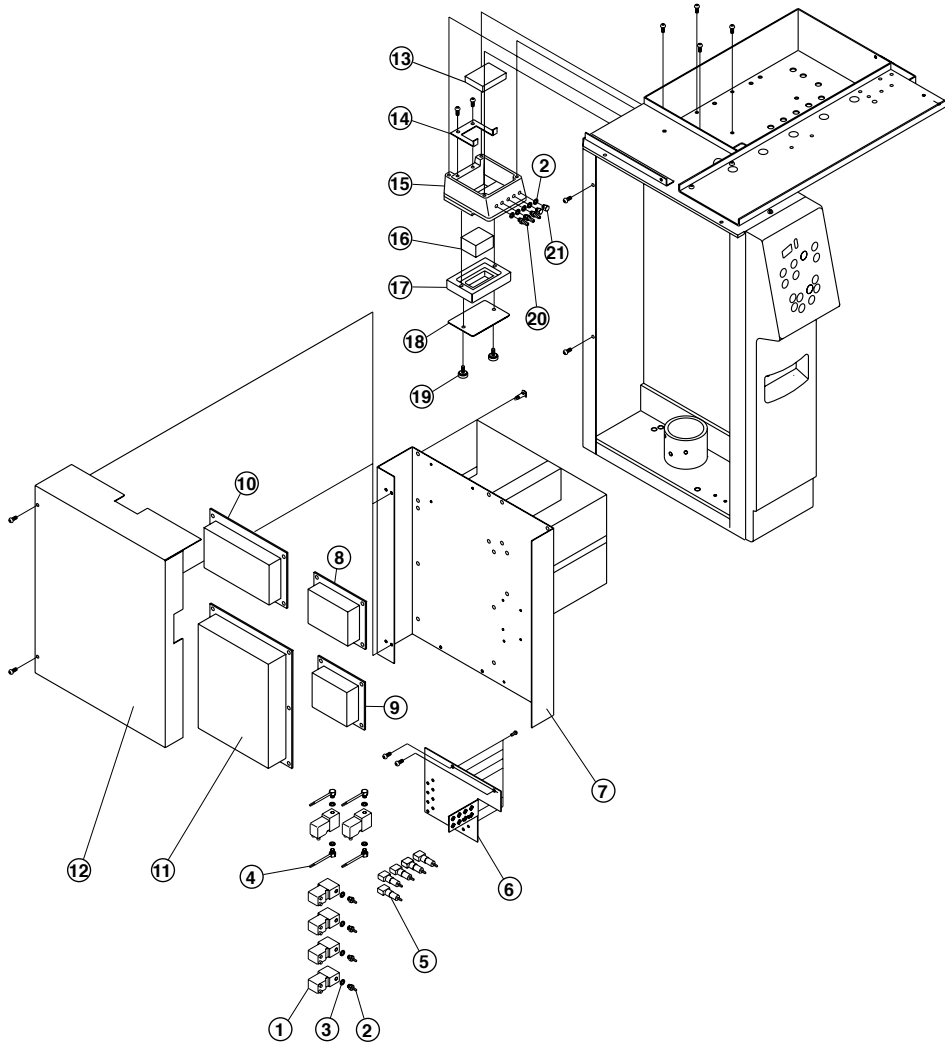
	Page
1. DOCTOR TABLE UNIT SECTION-1 -----	1
2. DOCTOR TABLE UNIT SECTION-2 -----	2
3. DOCTOR TABLE UNIT SECTION-3 -----	3
4. COUNTER SECTION-1 -----	5
5. COUNTER SECTION-2 -----	6
6. PANORAMA VIEWER SECTION -----	8
7. SPITTOON BOWL SECTION -----	9
8. TABLE UNIT UTILITY SECTION -----	11
9. SENSOR CUPFILLER SECTION -----	13
10. ASSISTANT UNIT SECTION -----	14
11. FOOT CONTROL SECTION -----	16

1. DOCTOR TABLE UNIT SECTION-1



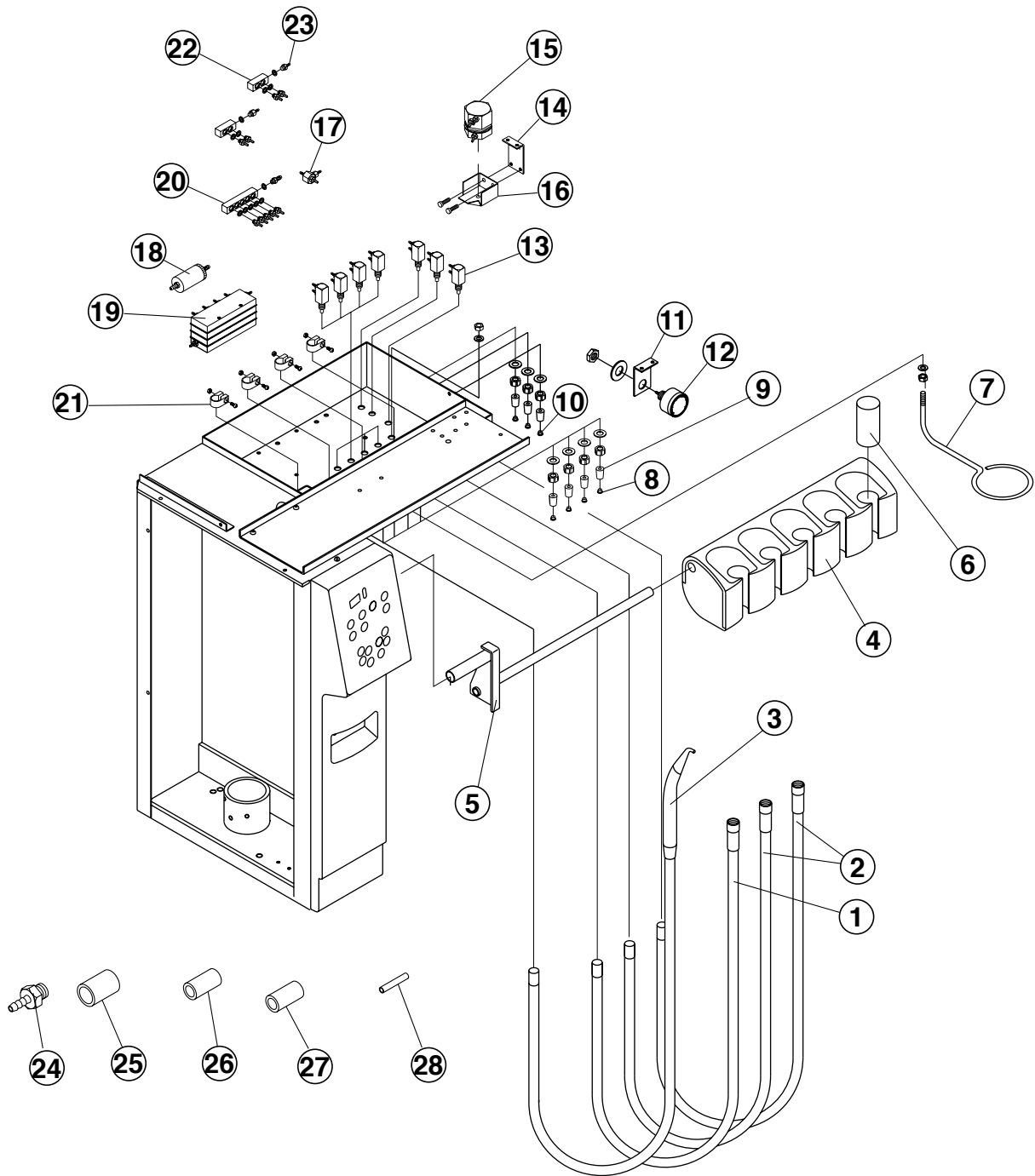
NO.	PARTS NO.	DESCRIPTION	Q'TY
1	F06-DAQE46A0	Flange Bracket	1
2	F06-DAQE48A0	Table Flange	1
3	F06-DEQR58A0	DU Bush (MB5020)	1
4	F06-FEQR57A0	DU Bush (MB5020-65FDU)	1
5	F06-U0669	Swing Arm stopper Rubber	1
6	F06-DAQJ61A0	Arm Cover	1
7	F06-DAQE47A0	Swing Arm	1
8	F06-DAMS68A0	Arm Stopper Rubber	1
9	F06-DEQR59A0	DU Bush (MB4520-60FDU)	1
10	F06-DEQR60A0	DU Bush (MB4520)	1
11	F06-DAQA11A0	Doctor Table Frame	1
12	F06-DAQB21A0	Doctor Table Maintenance Cover	1
13	F06-HAQE30A0	Switch P.C.B. Cover	1
14	F06-DNQJ11A0	Doctor Table Control P.C.B.	1
15	F06-HAQE29A0	Doctor Table Front Cover	1
16	F06-DNQE01A0	Doctor Table Membrane Panel	1
17	F06-DAQJ60A0	Doctor Table Handle	1
18	F06-DAQB33A0	Doctor Table Housing	1
19	F06-DAQB35A0	Doctor Table Under Cover	1
20	F06-HAQE28A0	Doctor Table Top	1

2. DOCTOR TABLE UNIT SECTION-2



NO.	PARTS NO.	DESCRIPTION	Q'TY
1	F06-X5893	Solenoid Valve (M5132NEDC12)	6
2	F06-X4037	Barb Fitting (1/8)	30
3	F06-X4035	Nylon Washer (M5)	40
4	F06 FGLA43A0	L-Barb Fitting (1/8)	3
5	F06-FGMA40A0	Mini Air Switch	4
6	F06-DAQJ62A0	Solenoid Valve Bracket	1
7	F06-DAQB34A0	Module Mounting Bracket	1
8	F06-DNQJ16A0	Doctor Unit Relay P.C.B. (PAPO-DOCTOR)	1
9	F06-DNQJ03A0	Interface Relay P.C.B.	1
10	F06-FHOA47A0	DA-290 Assembly (Optional)	1
11	F06-DNQJ12A0	Doctor Unit Control P.C.B. (TR-CIE97UMCT-FINE)	1
12	F06-DAQE49A0	Module Cover	1
13	F06-G0178	Oil Separator Mat	1
14	F06-G0176	Oil Separator Mat Plate	1
15	F06-DAQJ71A0	Oil Separator Body	1
16	F06-G0179	Oil Separator Filter	1
17	F06-G0177	Oil Separator Bottom	1
18	F06-G0181	Oil Separator Bottom Cover	1
19	F06-X8206	Oil Separator Screw	2
20	F06-X4038	Barb Fitting (1/4)	2
21	F06-X4034	Plug (M5)	2

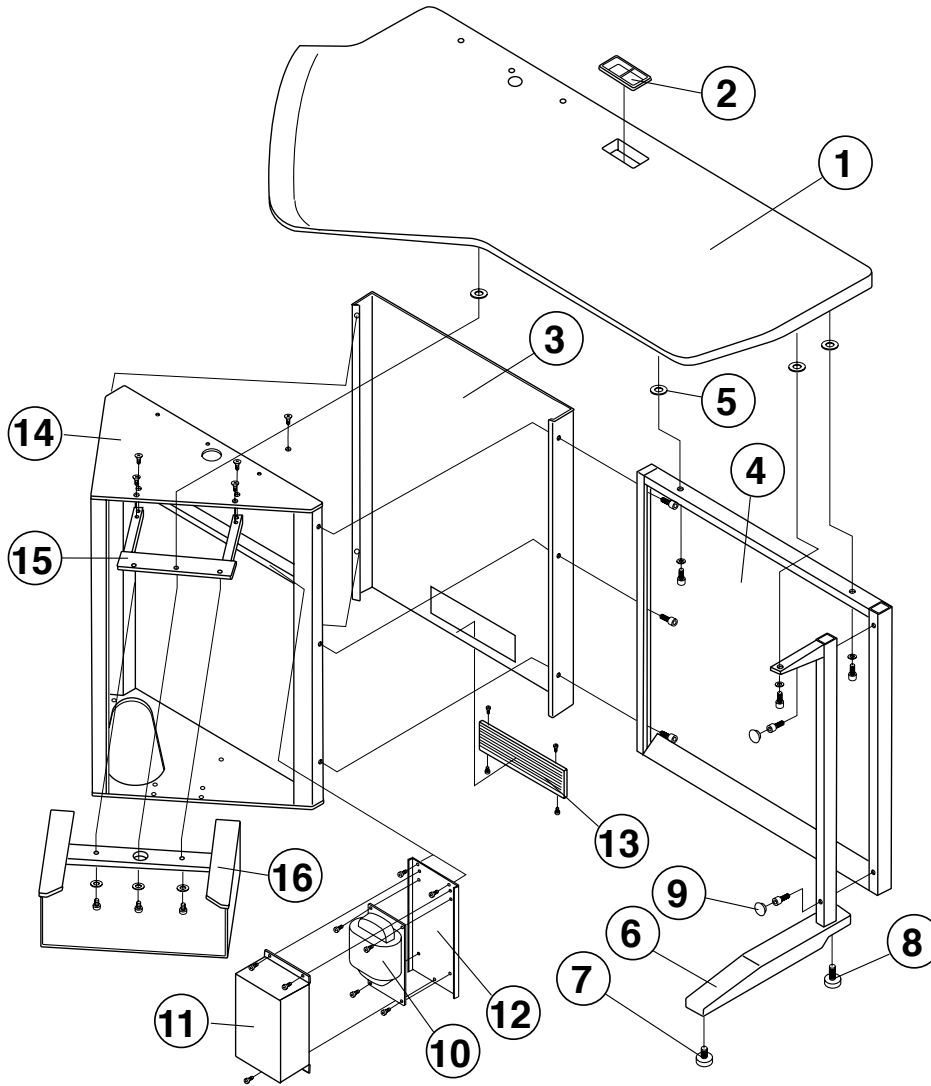
3. DOCTOR TABLE UNIT SECTION-3



3. DOCTOR TABLE UNIT SECTION-3

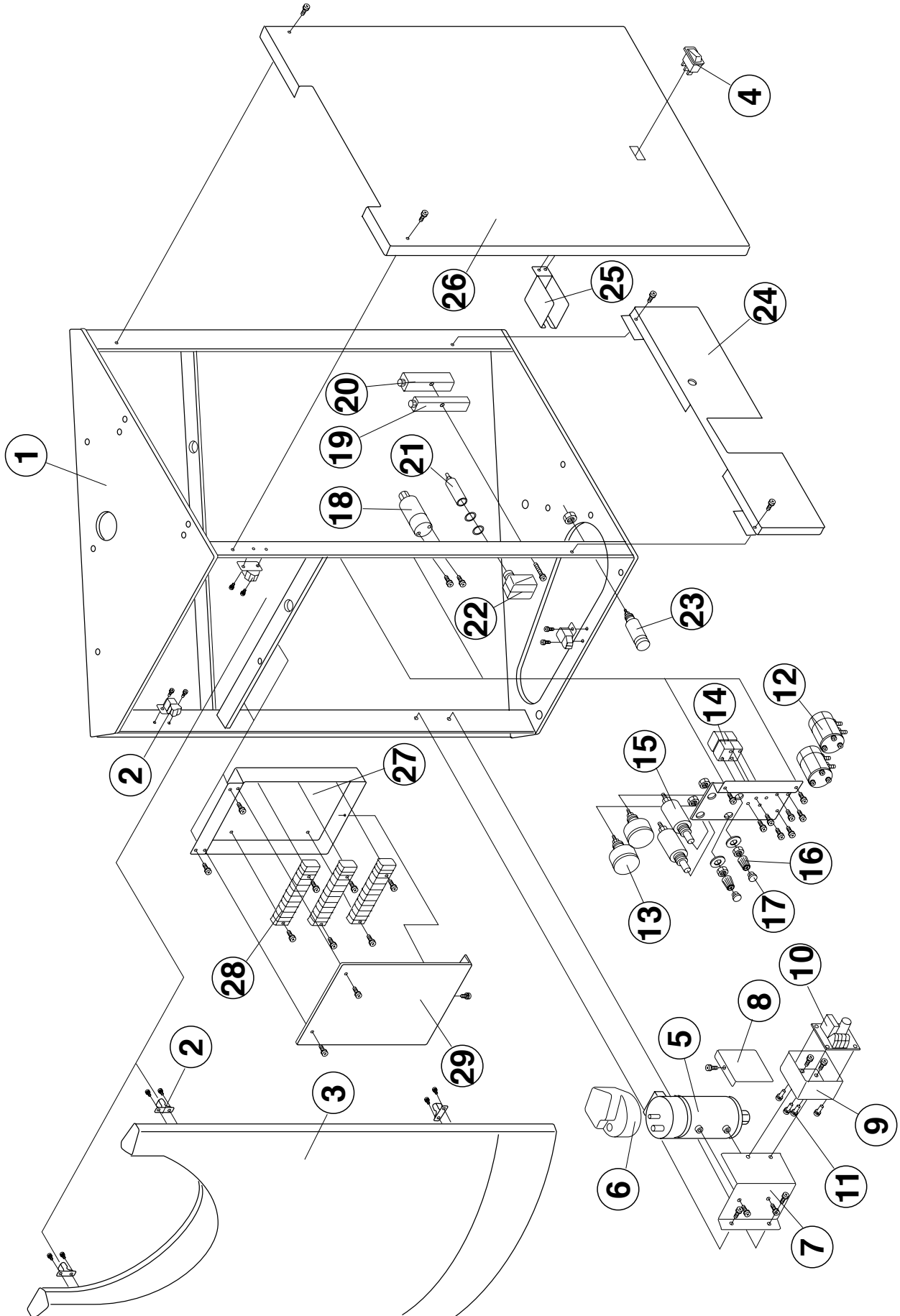
NO.	PARTS NO.	DESCRIPTION	Q'TY
1	F06-DEQR37A0	Handpiece Tubing (4-Hole, Midwest)	1
2	F06-DEQR36A0	Handpiece Tubing (3-Hole, Midwest)	2
3	F06-DENR49A0	3-Way Syringe (Faro)	1
4	F06-FHNB20A0	Handpiece Holder (5-Handpieces) Assembly	1
5	F06-DAQE45A0	Handpiece Holder Bracket	1
6	F06-DAMT06AA	Handpiece Holder Spigot	1
7	F06-DAQJ68A0	Waste Receptacle Holder	1
8	F06-X4219	Knob Cap (Blue)	5
9	F06-DEMS32A0	Knob (Grey)	7
10	F06-X4220	Knob Cap (Yellow)	2
11	F06-DEQS49A0	Pressure Gauge Bracket	1
12	F06-FGMA21A0	Handpiece Pressure Gauge	1
13	F06-X8167	Needle Valve	7
14	F06-DAQS48A0	Pull Back Valve Fixing Plate	1
15	F06-X4092	Pull Back Valve Assembly	1
16	F06-R0763	Pull Back Valve Bracket	1
17	F06-FGMA79A0	Shuttle Valve Assembly	1
18	F06-FGMA18A0	In-line Filter Assembly	1
19	F06-FHNA76A0	Auto Select Valve Assembly	1
20	F06-U0730	Manifold (5-Outlet)	2
21	F06-FALD62A0	Tubing Clamp	4
22	F06-U0636	F-Nipple	6
23	F06-FGMA56A0	Check Valve Type-1 (M5)	2
24	F06-X6557	Barb Fitting (3.7)	3
25	F06-X4222	Sleeve White (6.2 x 8.2)	/
26	F06-X4221	Sleeve Black (4 x 6)	/
27	F06-X6875	Sleeve (4.5 x 5.5)	/
28	F06-X5923	High Pressure Hose (Black, HN-1/8)	/

4. COUNTER SECTION-1



NO.	PARTS NO.	DESCRIPTION	Q'TY
1	F06-DAQA13A0	Counter Table Top	1
2	F06-DEQR61A0	Wiring Hole Cap (ART973)	1
3	F06-DAQB42A0	Back Cover	1
4	F06-DAQB37A0	Back Panel	1
5	---	Cushion Rubber	5
6	F06-DAQB38A0	Leg Pipe	1
7	F06-U1299	Adjuster (S)	1
8	F06-F1516	Adjuster Bolt	1
9	F06-DEQR72A0	Hole Plug (DP562, Grey)	2
10	F06-DNQR32A0	R Core Transformer (FK014)	1
11	F06-DAQJ79A0	Transformer Cover	1
12	F06-QAQJ77A0	Transformer Bracket	1
13	F06-DEQR62A0	Ventilation Sash	1
14	F06 DAQA12A0	Counter Table Body	1
15	F06-DAQJ75A0	Printer Case Bracket	1
16	F06-DAQB40A0	Printer Case	1

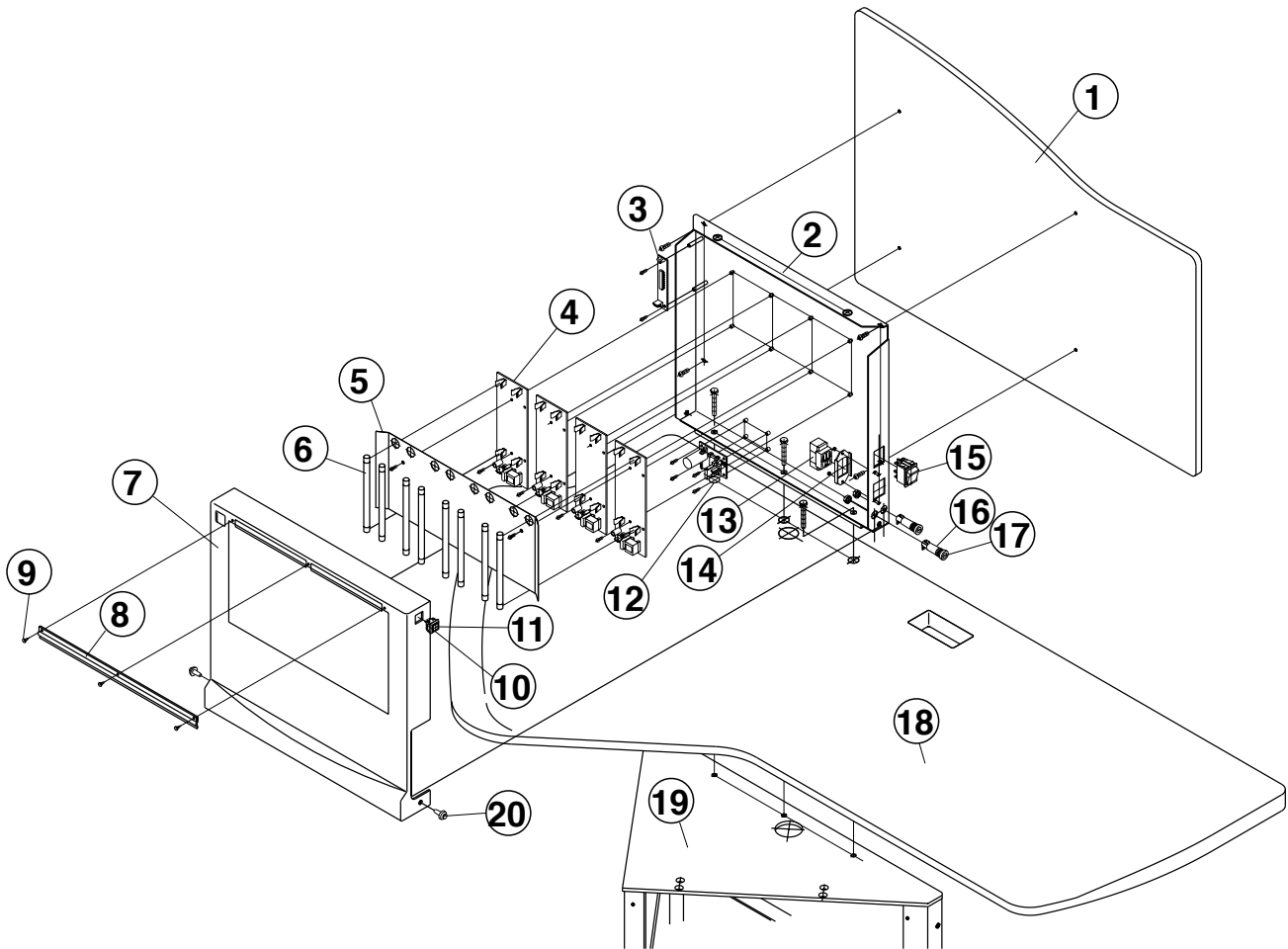
5. COUNTER SECTION-2



5. COUNTER SECTION-2

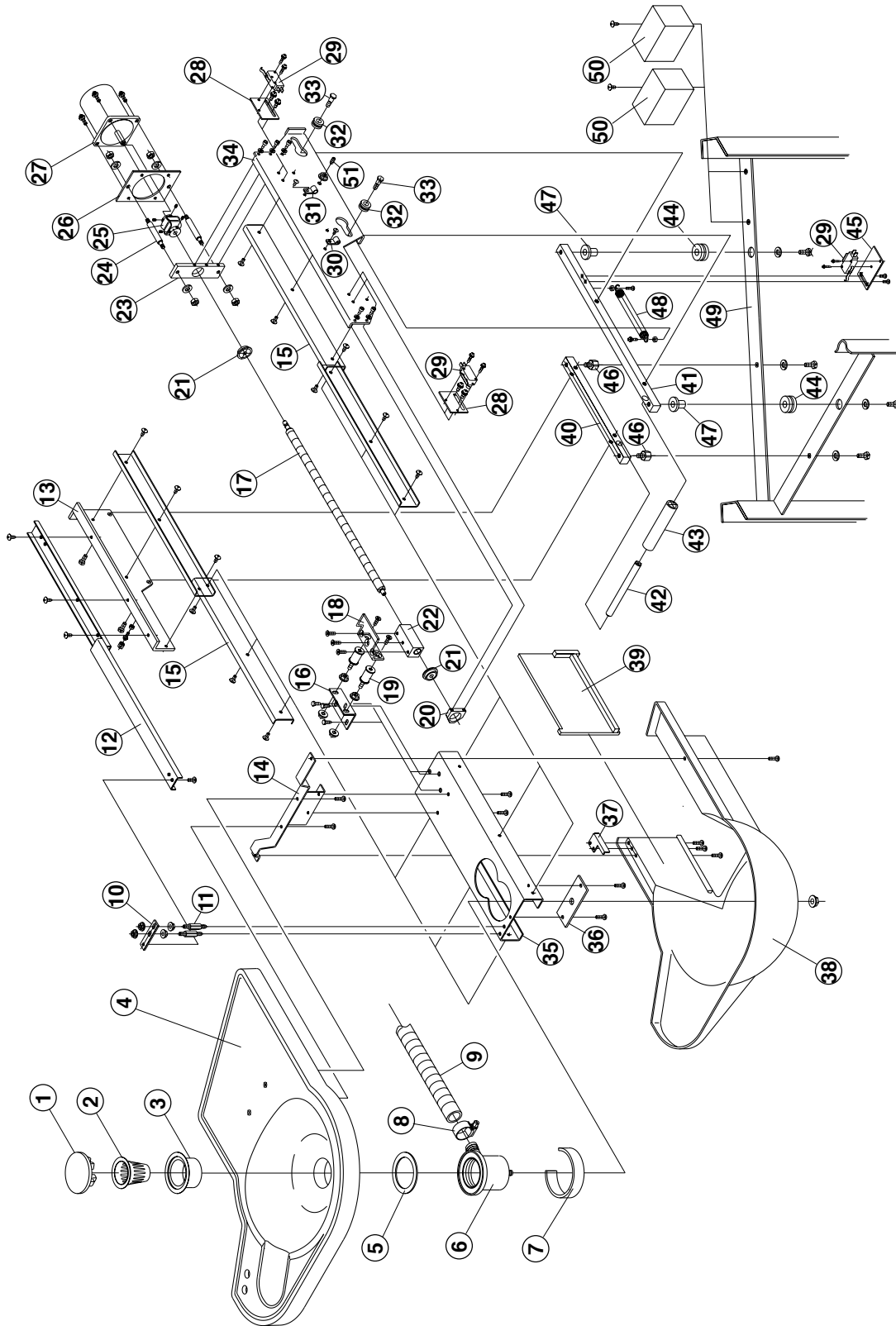
NO.	PARTS NO.	DESCRIPTION	Q'TY
1	F06 DAQA12A0	Counter Table Body	1
2	F06-DEQR70A0	Roller Catch	3 set
3	F06-HAQE35A0	Side Cover	1
4	F06-DEMS08AA	Water Heater Switch (2VAQ-4B-K)	1
5	F06-FGMB11A0	Water Heater Assembly (AC24A,120W)	1
6	F06-FALA15A0	Water Heater Cap	1
7	F06-DAQJ82A0	Water Heater Bracket	1
8	F06-DAMS79AA	Water Heater P.C.B. Box Cover	1
9	F06-DAMS81A0	Water Heater P.C.B. Box	1
10	F06-DAMK01AA	Water Heater Relay	1
11	F06-DNOR11A0	Spacer (RSPLS-6LU)	4
12	F06-DGOE01A0	Master Valve (S) Assembly	2
13	F06-FWLA13A0	Pressure Gauge	2
14	F06-X5893	Solenoid Valve (M5132-NE-DC12)	2
15	F06-FHNB80A0	Needle Valve Assembly	2
16	F06-DEMS32A0	Knob (Grey)	2
17	F06-4219	Knob Cap (Blue)	2
18	F06-DEQR71A0	Solenoid Valve (AC24V)	1
19	F06-R0724	Air Manifold	1
20	F06-R0723	Water Manifold	1
21	F06-FALC30A0	Air Switch Cylinder Assembly	1
22	F06-X5534	Air Switch Body	1
23	F06-FHNA11A0	Drain Valve Assembly	1
24	F06-DAQE58A0	Under Cover	1
25	F06-DAQS84A0	Water Heater Switch Cover	1
26	F06-DAQE57A0	Front Cover	1
27	F06-DAQJ83A0	Terminal Block Box	1
28	F06-X4306	Terminal Block	2
29	F06-DAQJ84A0	Terminal Block Box Cover	1

6. PAMORAMA VIEWER SECTION



NO.	PARTS NO.	DESCRIPTION	Q'TY
1	F06-DAQE59A0	Patition Panel	1
2	F06-DAQB41A0	Panorama Viewer Frame	1
3	F06-DNQR34A0	Infrared Sensor P.C.B.	1
4	F06-X7738	Fluorescence Lamp P.C.B.	4
5	F06-DAQE60A0	Reflector	1
6	F06-X7739	Fluorescence Lamp	8
7	F06-HAQE38A0	Panorama Viewer Front Cover	1
8	F06-FALA05A0	Panorama Viewer Clip	1
9	F06-FJMA02A0	Push Rivet (P3055, White)	3
10	F06-DNQR29AA	Push Button Switch Body (UB-16KKSIN)	1
11	F06-DEMR09AA	Push Button Switch Cap (AT-4073W)	1
12	F06-X7766	Panorama Viewer Power Supply P.C.B. (TS-DCP89)	1
13	F06-X4267	Service Outlet (WN1101)	1
14	F06-DEQR81A0	Service Outlet Bracket (WZ6371-7)	1
15	F06-DELR10AA	Main Switch (A8A213-1)	1
16	F06-DEQR01A0	Fuse Holder (F-220 01-A1)	2
17	F06-X5617	Fuse (10A,FGBI 125V)	2
18	F06-DAQA13A0	Counter Table Top	1
19	F06-DAQA12A0	Counter Table Body	1
20	F06-DEOR64AA	Push Rivet (White)	2

7. SPITTOON BOWL SECTION

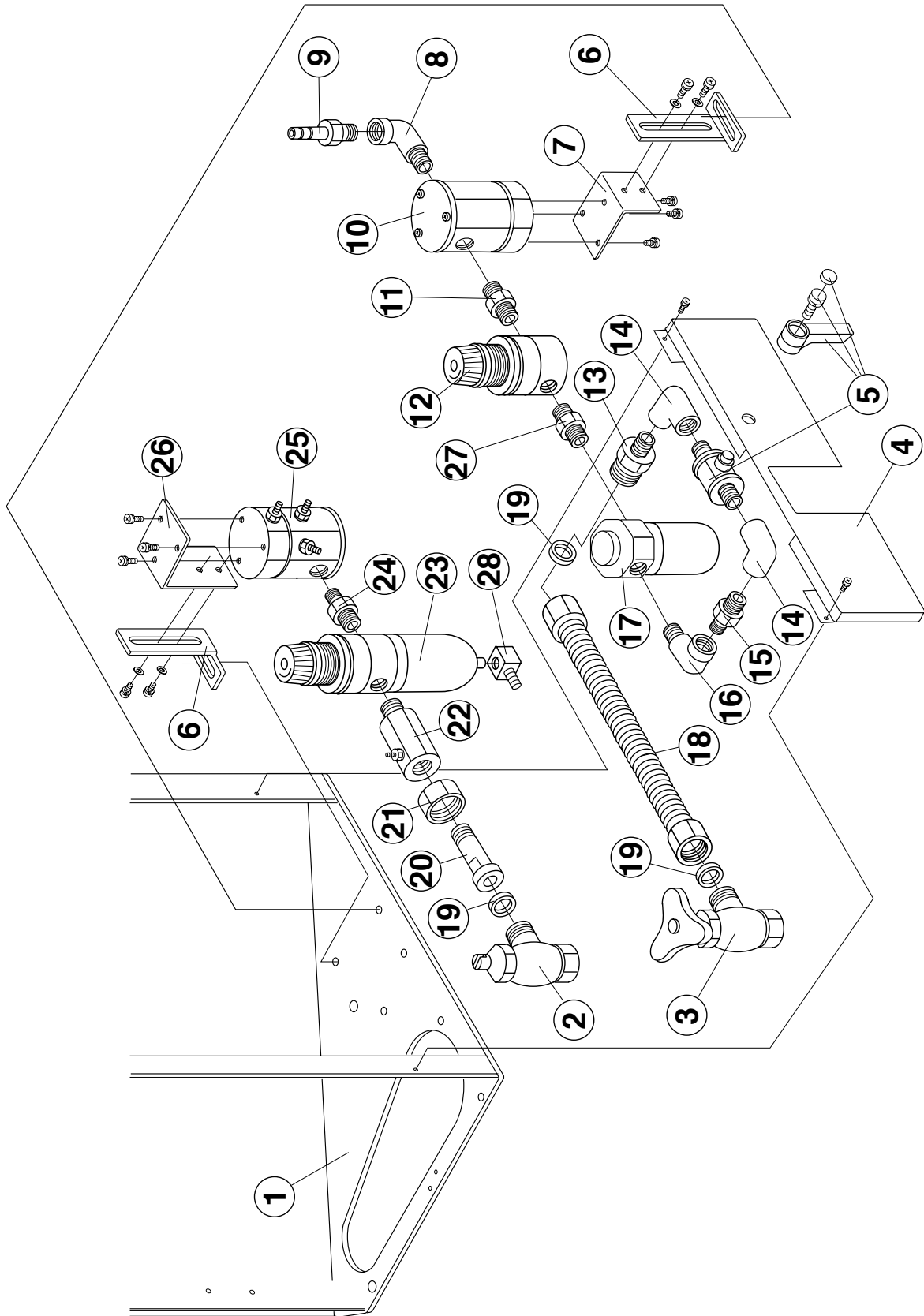


NO.	PARTS NO.	DESCRIPTION	Q'TY
1	-----	Drain Cap	1
2	F06-FALE80A0	Drain Strainer	1
3	F06-DAQS33A0	Drain Cup Upper	1
4	F06-DAQA08A0	Spittoon Bowl with Drain Cap	1
5	F06-DAQS34A0	Drain Packing	1

7. SPITTOON BOWL SECTION

NO.	PARTS NO.	DESCRIPTION	Q'TY
6	F06-DAQJ57A0	Drain Cup Lower	1
7	F06-DAQS64A0	VP Spacer	1
8	F06-X4227	Hose Clamp 818-25 OX)	1
9	F06-X4239	Drain Hose (1.5m)	1
10	F06-DAQS80A0	Slide Bracket	1
11	F06-DAQS81AA	Adjuster Bolt	2
12	F06-DEQR64A0	Slide Rail (2731)	1
13	F06-DAQJ78A0	Guide Plate B	1
14	F06-DAQJ76A0	Spittoon Bowl Bracket	1
15	F06-DEQR63A0	Slide Rail (301)	2
16	F06-DAQS79A0	S-Mount Bracket	1
17	F06-DAQS57A0	Ball Screw	1
18	F06-DAQS58A0	Nut Fixing Bracket	1
19	F06-DEQR66A0	S-Mount Bracket A (RS2010)	2
20	F06-DAQS55A0	Bearing Guide (S)	1
21	F06-DEQR65A0	Bearing (NSK626ZZ)	2
22	F06-DAQS56A0	Ball Nut	1
23	F06-DAQS54A0	Bearing Guide (L)	1
24	F06-DAQS76A0	Stud Bolt	2
25	F06-DEQR67A0	1	
26	F06-DAQS77A0	Motor Bracket	1
27	F06-DEQR69A0	Motor (AC24V)	1
28	F06-DAQS88A0	Switch Plate A	2
29	F06-X6312	Micro Switch (D2MV-01L-IC3)	3
30	F06-X5052	Nylon Clamp (3304)	1
31	F06-F3334	Nylon Clamp (3305)	1
32	F06-DAQS59A0	Roller	2
33	F06-DAQS60A0	Shoulder Bolt	2
34	F06-DAQE52A0	Guide Plate A	1
35	F06-DAQE55A0	Spittoon Frame	1
36	F06-DAQS63A0	Support Plate	1
37	F06-DAQS78A0	Guide Plate	1
38	F06-HAQE36A0	Spittoon Cover	1
39	F06-HAQE37A0	Slide Cover	1
40	F06-DAQJ73A0	Support Bar (S)	1
41	F06-DAQJ72A0	Support Bar (L)	1
42	F06-DAQS67A0	Hose Support Shaft	1
43	F06-DAQS66A0	Drain Hose Support	1
44	F06-DEQR68A0	Rubber Bush	2
45	F06-DAQS62A0	Switch Plate B	1
46	F06-DAQS85A0	Spacer	2
47	F06-DAQS83A0	Sleeve	2
48	F06-P8776	Lock Spring	1
49	F06-DAQA12A0	Counter Table Body	1
50	-----	Capacitor	2
51	F06-DERR09A0	Plunger Ball	1

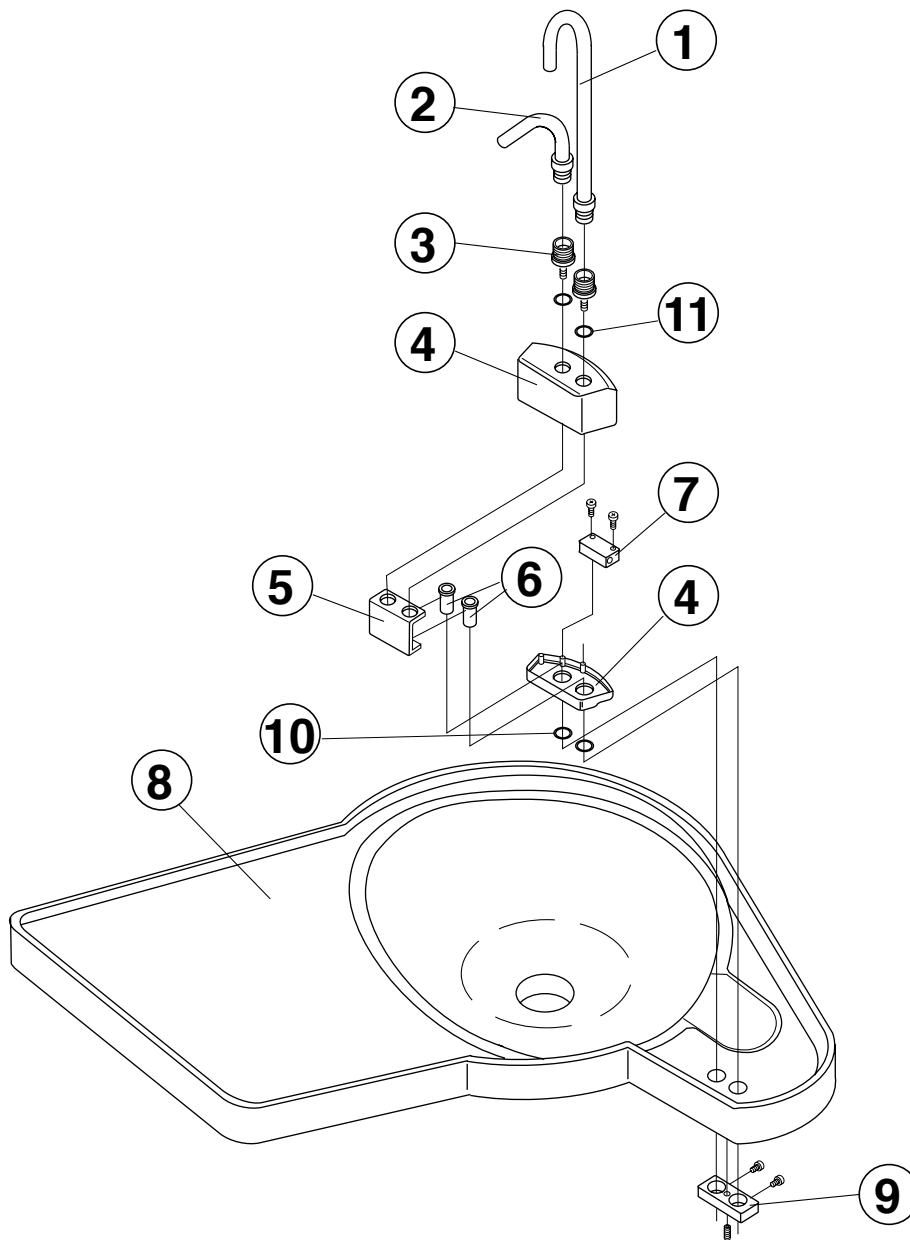
8. TABLE UNIT UTILITY SECTION



8. TABLE UNIT UTILITY SECTION

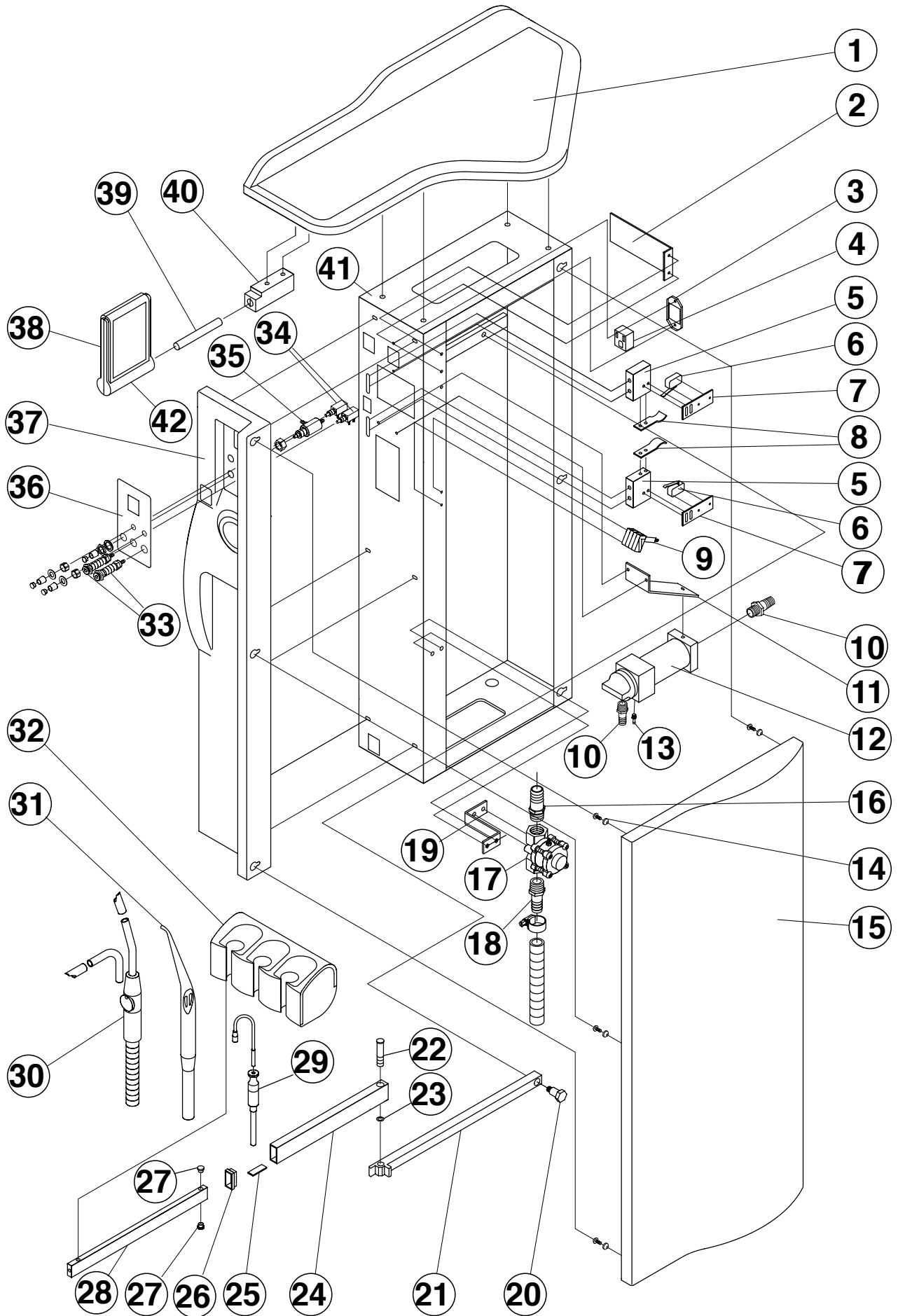
NO.	PARTS NO.	DESCRIPTION	Q'TY
1	F06-DAQA12A0	Counter Table Body	1
2	F06-FEMA09A0	Air Stop Valve (V22AD-X2)	1
3	F06-FELA32A0	Water Stop Valve (V22J-X)	1
4	F06-DAQE58A0	Under Cover	1
5	F06-FGMA09A0	Main Water Valve Assembly	1
6	F06-R0698	Master Valve Holder	2
7	F06-J0787	Master Valve Bracket (Water)	1
8	F06-Q2217	Street Elbow (M/F, PT1/8-PT1/8)	1
9	F06-X4148	Barb Fitting (PT1/8)	1
10	F06-FHNA28A0	Water Master Valve (L)	1
11	F06-R0725	Joint (PT1/8-PT1/8)	1
12	F06-DEQR14A0	Water Regulator (R06-1G3-NNKA)	1
13	F06-FALC19A0	Joint (PF1/2-PT1/4)	1
14	F06-Q2093	Street Elbow (F/F, PT1/4-PT1/4)	2
15	F06-F3242	Joint (PT1/4-PT1/4)	1
16	F06-F6128	Street Elbow (M/F,PT1/4-PT1/4)	1
17	F06-X4060	Water Filter Assembly	1
18	F06-FJMA11A0	Stainless Flexible Pipe	1
19	F06-FJLA01A0	Packing (P-40-5-13)	3
20	F06-U0217	Plumbing Nipple (S)	1
21	F06-R0699	Plumbing Nut	1
22	F06-DAQR28A0	NLG Adapter (Air) (PT1/8-PT/8)	1
23	F06-DEQR15A0	Main Air Filter Regulator (B07-233-MIKB)	1
24	F06-R0701	Joint (PT1/4-PT1/8)	2
25	F06-FHNA28A0	Air Master Valve (L)	1
26	F06-J0788	Air Master Valve Bracket	1
27	F06-U0216	Joint (L)(PT1/8-PT1/8)	1
28	F06-DAQS47A0	Drain Joint	1

9. SENSOR CUPFILLER SECTION



NO.	PARTS NO.	DESCRIPTION	Q'TY
1	F06-DAPJ70A0	Sensor Cupfiller Nozzle	1
2	F06-DAQJ74A0	Sensor Bowl Flush Nozzle	1
3	F06-DAOS34A0	Nozzle Socket (S)	2
4	F06-HBOG06A0	Sensor Cover	1set
5	F06-DAOS35A0	Sensor Bracket	1
6	F06-DAOS32A0	Sensor Socket	2
7	F06-DNOR16A0	Sensor (EX-D200E)	1
8	F06-DAQA08A0	Spittoon Bowl)	1
9	F06-DANR22A0	Nozzle Bracket	1
10	F06-F7072	O-Ring (P12)	2
11	F06-DEOR65A0	O-Ring (P14, White)	2

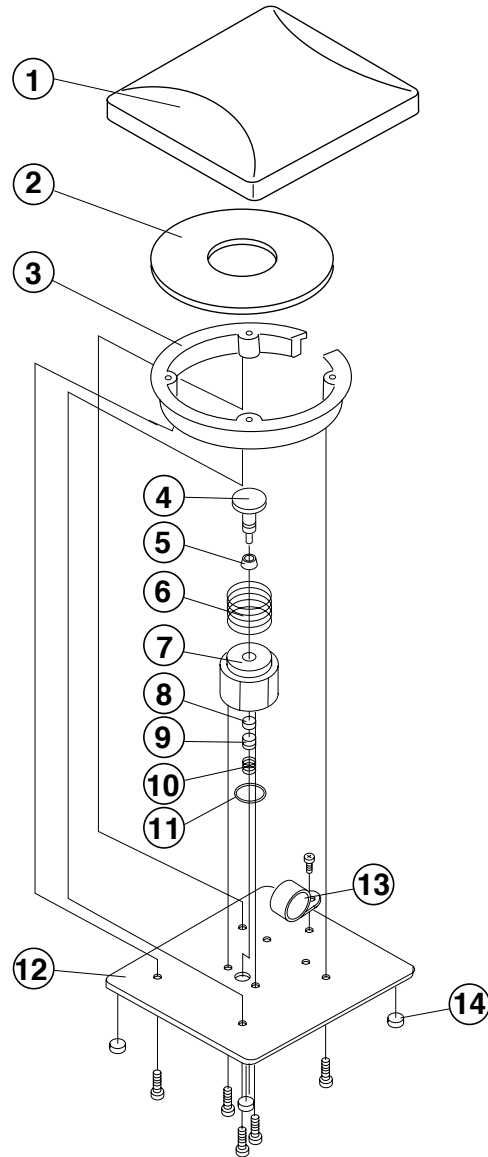
10. ASSISTANT UNIT SECTION



10. ASSISTANT UNIT SECTION

NO.	PARTS NO.	DESCRIPTION	Q'TY
1	F06-DAQE34A0	Assistant Unit Table Top	1
2	F06-DAQS15A0	Protector	1
3	F06-X4268	Service Outlet Bracket	1
4	F06-X4267	Service Outlet (WN1101)	1
5	F06-DAQS11A0	Safety Switch Bracket	2
6	F06-X6312	Micro Switch	2
7	F06-DAQS08A0	Micro Switch Fixing Plate	2
8	F06-U1588	Adjusting Spring	2
9	F06-X5534	Double Push Button Switch	1
10	F06-R0716	Solid Collector Nipple (L)	1
11	F06-DAQJ55A0	Solid Collector Bracket	1
12	-----	Solid Collector Assembly	1
13	F06-X4037	Barb Fitting (1/8)	6
14	F06-DAQS69A0	Panel Fixing Spacer	6
15	F06-HAQE32A0	Assistant Unit Side Panel	1
16	F06-R0837	Line Valve Nipple (L)	1
17	F06-FELA11A0	Vacuum Line Valve Assembly	1
18	F06-R0714	Line Valve Nipple (S)	1
19	F06-DAQS93A0	Line Valve Bracket	1
20	F06-DAQS14A0	Safety Switch Shoulder Bolt	1
21	F06-DAQE33A0	Assistant Arm (Basis)	1
22	F06-DAQS13A0	Assistant Arm Rotation Shaft	1
23	-----	Wave Washer	1
24	F06-DAQJ54A0	Assistant Arm (Middle)	1
25	F06-DAQS45A0	Arm Stopper	1
26	F06-FALD16A0	Arm Cap	1
27	F06-DAQS74A0	Arm Spacer	2
28	F06-DAQJ59A0	Assistant Arm (End)	1
29	F06-FHNA21A0	Saliva Ejector with Hose Assembly	1
30	F06-FGLA07A0	Vacuum Handpiece with Hose Assembly	1
31	F06-DENR49A0	Faro 3-Way Syringe	1
32	F06-FHNA61A0	Assistant Holder Assembly	1
33	F06-FHNA15A0	Service Water Outlet	2
34	F06-X8167	Needle Valve (TG-01)	2
35	F06-FHNB80A0	Water Control Valve	1
36	F06-DAQS10A0	Assistant Unit Control Panel	1
37	F06-HAQE31A0	Assistant Unit Front Panel	1
38	F06-DAQE54A0	Assistant Switch Case (Rear)	1
39	F06-U0606	Assistant Switch Fixing Bar	1
40	F06-DAQS12A0	Assistant Holder Bracket	1
41	F06-DAQA09A0	Assistant Unit Chassis	1
42	F06-DAQE53A0	Assistant Switch Case (Front)	1

11. FOOT CONTROL SECTION



INDEX NO.	PARTS NO.	DESCRIPTION	Q'TY
1	F06-K0226	Foot Pedal	1
2	F06-U0212	Silencer Ring	1
3	F06-T0344	Pedal Guide	1
4	F06-U0205	Plunger	1
5	F06-X4054	MY Packing (MY5)	1
6	F06-U2100	Pedal Spring	1
7	F06-T0343	Foot Control Regulator Valve Body	1
8	F06-U0207	Poppet	1
9	F06-U0206	Spring Holder	1
10	F04-U0208	Poppet Spring	1
11	F06-X7347	O-Ring (P15)	1
12	F06-K0225	Foot Control Base	1
13	F06-Q3113	Nylon Clamp 5/8"	1
14	F06-X5904	Rubber Cushion	4

NOTE



TAKARA BELMONT CORPORATION
1-1, 2-Chome, Higashi-shinsaibashi, Chuo-ku, Osaka, Japan
TEL. : (06) 6213-5945
TELEFAX : (06) 6212-3680